

Y13 Applied Technology Worksheet # 4

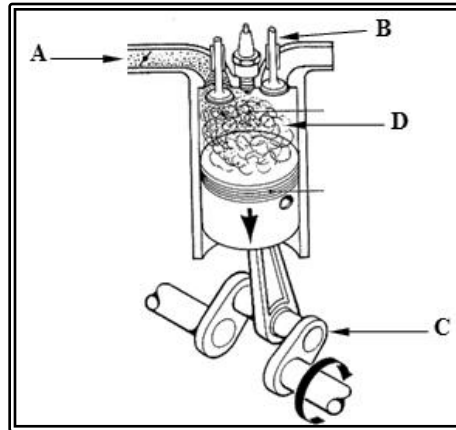
Instruction: Please do attempt this at the back of your exercise book.

QUESTION 4

MACHINES AND ENGINES

(10 marks)

- (a) Study the diagram of the parts of a four-stroke engine given below and answer the questions that follow.



Source: *Year 13 Applied Technology*, Ministry of Education, 2017.

Name the parts labelled **A**, **B** and **C**.

(3 marks)

- (ii) Explain the process labelled **D**.

(2 marks)

- (iii) Differentiate between **suction stroke** and **compression stroke**.

(2 marks)

- (b) Study the diagram of the portable machine given below and answer the questions that follow.



- (i) Name the machine shown above.

(1 mark)

- (ii) Explain **one** advantage of using the machine in (i).

(2 marks)

